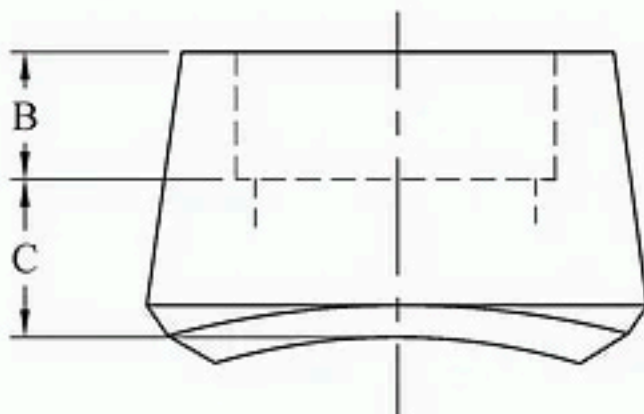


ANNEX A

SI (Metric) Tables A2 through A7
(continued)

TABLE A4

90° Branch Outlets – Socket Welding, SI (Metric) Units



Dimensions in millimeters

Outlet (DN)	B Min. ^(a)	C Max.		
		Class 3000	Class 6000	Class 9000
6	9.5	11	19	–
8	9.5	11	19	–
10	9.5	13	19	–
15	9.5	16	24	24
20	12.5	16	26	26
25	12.5	23	29	29
32	12.5	23	31	31
40	12.5	24	32	32
50	16.0	24	37	37
65	16.0	26	–	–
80	16.0	31	–	–
100	19.0	31	–	–

NOTE: (a) "B" Minimum Socket Depths per ASME B16.11